



# EMAV

ESTACIÓN MOVÍL DE AVANZADA VIGILANCIA



**COMPAS SECURITY**

Email: [compasecuritygmail.com](mailto:compasecuritygmail.com)

Tel: +569

# INDICE

<b>Ficha Técnica</b>	<b>3</b>
<b>Plano EMAV</b>	<b>5</b>
<b>Cámaras</b>	<b>6</b>
Especificaciones	6
<b>Grabador de video</b>	<b>9</b>
<b>Guía de uso de B2368</b>	<b>11</b>
<b>Descripción de Hardware:</b>	11
• Una ranura para una tarjeta SIM	11
(se admite Micro-SIM 3FF).	11
• Un conector RJ-45 para conectar al puerto	11
PoE de la IDU.	11
<b>Configuración de web:</b>	14
<b>Imágenes referenciales</b>	<b>15</b>

# Ficha Técnica

Las Estaciones móviles de avanzada vigilancia son una solución tecnología a base de plataformas portátiles de remolque autónomas con energía de baterías y Sistema de carga solar. Fácil de transportar, instalar y operar, con un mástil de elevación de 6-7 metros de altura, Cuenta con torre telescópica de 7 m/22 pies, o torre vertical personalizada, energía de batería, sistema de carga solar automatizado. con una alta eficiencia de operaciones y funcionamiento con monitoreo local y/o remota desde alguna central.

Estas unidades cuentan con energía solar de tres paneles de 300w cada uno, proporcionando carga automática a 6 baterías, controlador solar MPPT, paneles de accesorios y todo lo necesario para el correcto funcionamiento de los componentes asociados y que configuran la funcionabilidad del equipo. La energía solar proporciona potencia y portabilidad para sus dispositivos electrónicos y otros equipos, combine cámaras, luces, dispositivos de grabación, todo lo que necesite para su aplicación, que en este caso cada unidad está configurada con :

- 04 cámaras tipo bala 2MP 1080P focus 6 mm
- 01 Cámara PTZ H265 3,9 mm 85 mm 360°
- 01 NVR Arm cortex A7 Processor 9 canales 8TB
- 01 Antena Huawei ODUIDU para conectividad y enlace
- 01 baliza estereoscópica Ambar
- 04 Focos led con sensor de proximidad y movimiento

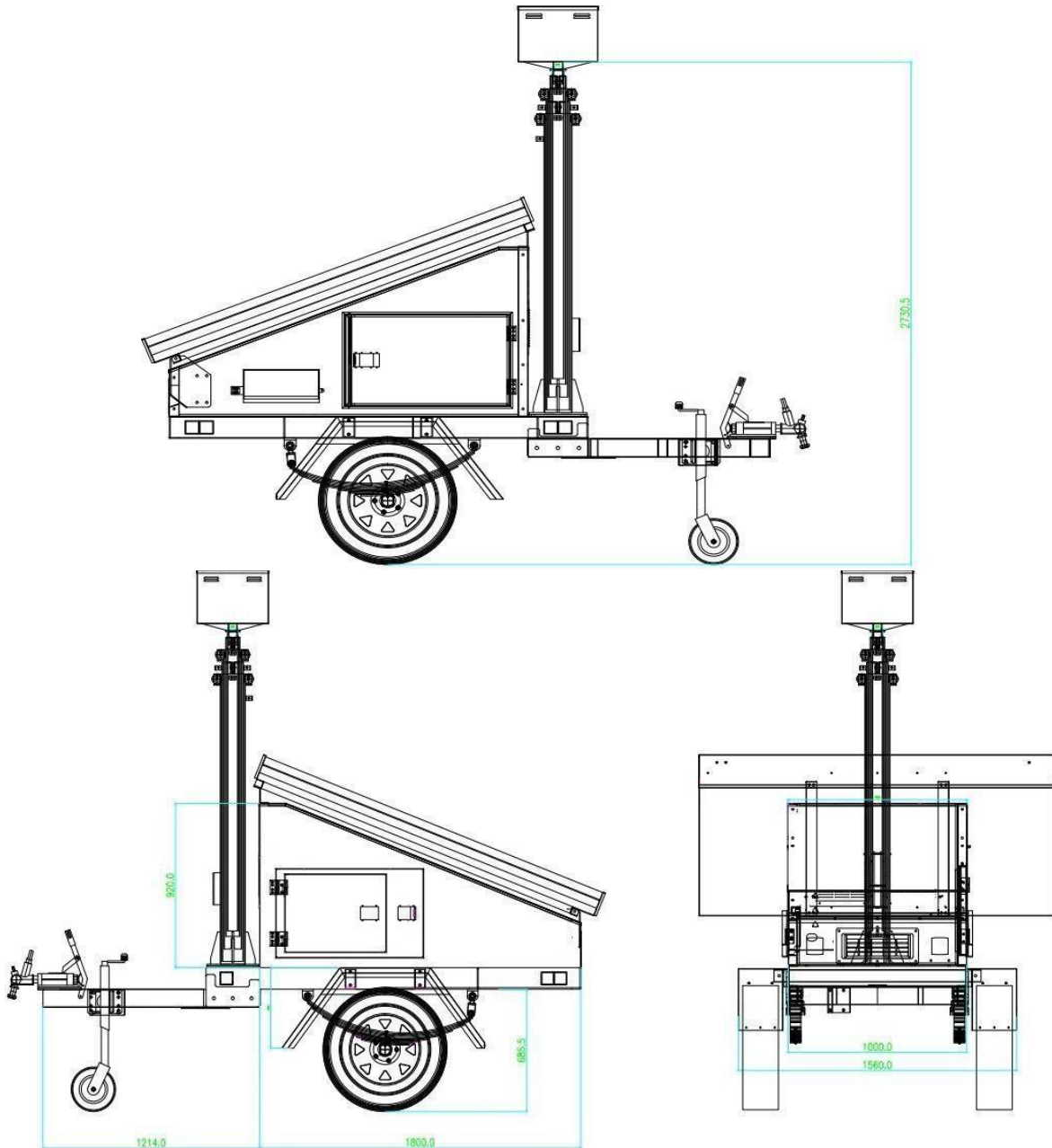
Nota: Ver fichas especificaciones técnicas anexas

	Specifications
<b>Model</b>	SDE580-C
<b>Solar</b>	
<b>Type</b>	Monocrystalline Silicon
<b>Number</b>	3
<b>Panel Wattage</b>	330W
<b>Panel Output</b>	990W
<b>Controller</b>	50A MPPT
<b>Batteries</b>	
<b>Capacity</b>	6*200Ah
<b>Voltage</b>	DC12V
<b>Material</b>	Colloid, AGM, Maintaining free
<b>Trailer</b>	
<b>Trailer Type</b>	Single Axle
<b>Tire and Rim Size</b>	2x14" R185C
<b>Outrigger</b>	Manual
<b>Tow Hitch</b>	2 inch ball, AS certificated
<b>Mast Raise</b>	Manual
<b>Mast Height</b>	6m
<b>Wind Rating Speed</b>	100kph/62kpm
<b>Work Temp.</b>	-35~60°C
<b>Tower Dimensions</b>	
<b>LxWxH</b>	3014x1560x2730 mm with draw bar
<b>Weight</b>	900kgs
<b>Top Box dependable platform</b>	Waterproof IP67
<b>Loading Capacity</b>	
<b>20GP</b>	3
<b>40HC</b>	10



# Plano EMAV

Se muestran las dimensiones en centímetros (cm).



# Cámaras

## Especificaciones

<b>Cámara</b>	<b>1</b>
<b>Modelo</b>	PT5AM22XHS500
<b>Image Sensor</b>	1/2.8" SONY Starvis Back-illuminated CMOS Sensor
<b>Horizontal Resolution</b>	5MP
<b>Compression</b>	H.264/H265
<b>S/N Ratio</b>	>50db
<b>PTZ</b>	
<b>Horizontal Rotation Speed</b>	45°/S
<b>Horizontal Rotation Range</b>	0°~360°
<b>Tilt Rotation Speed</b>	30°/s
<b>Tilt Rotation Range</b>	0°~93°
<b>Preset Points</b>	220
<b>Guard Tours</b>	3 groups
<b>Guard Points</b>	Max.16 points
<b>Lens</b>	
<b>Focus Length</b>	3.9mm-85.5mm
<b>Focus Control</b>	22X Optical Zoom
<b>Night Vision</b>	
<b>Infrared LED</b>	Φ 42x6PCS
<b>IR Range</b>	120m
<b>Day-night mode</b>	AUTO
<b>Network</b>	
<b>Network protocol</b>	TCP/IP, HTTP, FTP, RTSP, UPnP, DNS, NTP, RTP, UDP, IGMP,P2P
<b>Network interface</b>	Built-in RJ45 network interface,support 10M/100M IP DATA
<b>Stream type</b>	Main Stream / Sub Stream / MJPEG
<b>Interface</b>	
<b>Audio</b>	Optional
<b>Alarm</b>	/
<b>POE</b>	Optional
<b>General</b>	
<b>Weatherproof</b>	IP66
<b>Operating Temperature</b>	Indoor: 0°~ +40° Outdoor: -40°~ +60°
<b>Operating Humidity</b>	≤90% Non Condensing
<b>Power</b>	DC12V 2A/3A
<b>Lightning Protection</b>	Transient voltage 6000V
<b>Dimension</b>	29.5x28x17(cm)
<b>Weight</b>	4.2Kgs

<b>Cámara</b>	4
<b>Modelo</b>	IP3TA60HL200
<b>Image Sensor</b>	1/2.8" SONY Starvis Back-illuminated CMOS Sensor
<b>Resolution</b>	2MP 1080P
<b>Effective Pixels</b>	1945(H)*1097(V)
<b>Compression</b>	H.264/H.264+/H.265/H.265+/JPEG/AVI /MJPEG
<b>TV System</b>	PAL/NTSC
<b>Electronic Shutter Time</b>	Auto: PAL 1/25-1/10000Sec; NTSC 1/25-1/10000Sec
<b>Minimun Illumination</b>	0.005Lux
<b>S/N Ratio</b>	≥52dB
<b>Scanning System</b>	Progressive
<b>Video Output</b>	Network
<b>Reset Button</b>	Optional
<b>Lens</b>	
<b>Focus Length</b>	6mm
<b>Focus Control</b>	Fixed
<b>Lens Type</b>	Fixed
<b>Pixels</b>	2MP
<b>Night Vision</b>	
<b>Infrared LED</b>	42μ x 4PCS
<b>Infrared Distance</b>	40M
<b>IR Status</b>	Auto Control
<b>IR Power On</b>	Auto Control
<b>Network</b>	
<b>Ethernet</b>	RJ-45 (10/100Base-T)
<b>Wireless</b>	/
<b>Protocol</b>	TCP/IP,ICMP,HTTP,HTTPS,FTP,DHCP,DNS,DDNS,RTP,RTSP,RTCP,NTP,SMTP,UDP
<b>ONVIF</b>	Support ONVIF 2.4
<b>P2P</b>	YES, Support QR Code
<b>POE</b>	Internal, Support IEEE 802.3af
<b>Video Delay</b>	0.3S (Within the Lan)
<b>Main Stream 1</b>	2304*1296@20fps
<b>Main Stream 2</b>	1920*1080@30fps
<b>Main Stream 3</b>	1280*720@30fps
<b>Sub Stream 1</b>	720*480@20fps 720*480@30fps
<b>Sub Stream 2</b>	/
<b>Sub Stream 3</b>	/
<b>Tri Stream</b>	352*288@20fps 352*288@30fps
<b>IE Brower</b>	IE8-11, Google Chrome (lower than Ver44), Firefox (lower than Ver53), Mac Safari (lower than version 12)
<b>Smart Phone</b>	iPhone, iPad, Android, Android Pad

AI Function	
<b>Intelligent Analysis</b>	Intrusion Detetion, Line Cross Detetion, Loiter Detetion, People Gather Detecion
<b>Recognition</b>	Face Detection and Recognition Number of faces per frame: 32 Capture rate: >99.5% Repeat capture rate: <15% False capture rate: <0.5% Number of supported faces: 10,000 Minimum detection of face pixels: 25*25 Maximum detection of face pixels: 300*300
Camara Features	
<b>Day/Night</b>	Color/ B&W (IR-CUT )
<b>Image Config</b>	Saturation/Brightness/Contrast /Sharpness, Mirror, 3D NR , White Balance,FLK(Flicker Control), Video Tampering, HLC, Distortion
<b>Corridor Pattern</b>	/
<b>Defog Mode</b>	Support
<b>ROI</b>	Support
<b>BLC</b>	Support
<b>WDR</b>	HDR: 120dB
<b>Motion Detection</b>	Support
<b>Privacy Masking</b>	3 Rectangular Zone
<b>Recording Mode</b>	NVR/CMS/Web
<b>Language</b>	Chinese Simplified, Chinese Traditional, English, Bulgarian, Polish, Arabic, German, Russian, French, Korean, Portuguese, Japanese, Turkish, Spanish, Hebrew, Italian, Nederlands,Czech, Vietnamese
Interface	
<b>Audio</b>	2-Way Audio
<b>Alarm</b>	1 Channel Input/Output
<b>SD Card Slot</b>	Support Max 512GB
<b>RS485</b>	Support
General	
<b>Housing</b>	IP67
<b>Anti-cut Bracket</b>	YES
<b>IR Cut Filter</b>	YES
<b>Operation Temperature</b>	-20°C ~ +60°C RH95% Max
<b>Storage Temperature</b>	-20°C ~ +60°C RH95% Max
<b>Power Source</b>	DC12V±10%,950mA
<b>Dimension</b>	170(W) x 110(H) x 101(D)mm
<b>Weight</b>	1.6Kgs (Without bracket)





# Grabador de video

<b>System</b>	1
<b>Model</b>	NVRC936
<b>Main Processor</b>	ARM Cortex A7 Processor
<b>Operating System</b>	Embedded LINUX
<b>Video</b>	
<b>Input</b>	9CH (2592x1944, 2048x1536, 1920x1080, 1280x960, 1280x720, etc)
<b>Output</b>	1 VGA, 1 HD
<b>Audio</b>	
<b>Input</b>	/
<b>Output</b>	1 Port 3.5mm(Linear, 1kΩ)
<b>Dio Bit Rate</b>	64kbps
<b>Audio Comprensio n Stander</b>	G711u, G711a, ADPCM_DVI4
<b>Alarm</b>	
<b>Sensor Input</b>	NO
<b>Output</b>	NO
<b>Motion Detection</b>	9 Channel, MD Zones: 396 (22 × 18)
<b>Trigger Events</b>	Recording, Email, FTP, Snapshot, Buzzer and Screen Tips
<b>Display</b>	
<b>HD Output1</b>	Resolution: 1920 × 1080/60Hz, 1280 × 1024/60Hz, 1280 × 720/60Hz, 1024 × 768/60H
<b>HD Output2</b>	/
<b>VGA</b>	Resolution:1920 × 1080/60Hz, 1280 × 1024/60Hz, 1280 × 720/60Hz, 1024 × 768/60H
<b>Display Split</b>	9CHxD1/8CHxD1/4CHxD1/1CHx1080P/1CHx3MP/1CHx4MP/1CHx5MP
<b>Digital Zoom</b>	YES
<b>OSD</b>	Camera Title, Time, Recording, Motion Detection, Event Alarm
<b>Recordi ng</b>	
<b>Video Compression</b>	H265/H264/H265+/H264+
<b>Resolution</b>	5MP(2592×1944),4MP(2688×1520/2560×1440),3MP(2048×1536),1080P(1920×1080),960P(1280×960),720P(1280×720),D1 (720×576/720×480)
<b>Record Rate</b>	PAL:5MP@9×25fp,4MP@9×25fp,3MP@9×25fp,1080P@9×25fp,960P@9×25fp,720P@9×25fp, D1@9×25fp NTSC: 5MP@9×30fp,4MP@9×30fp,3MP@9×30fp,1080P@9×30fp, 960P@9×30fp, 720P@9×30fp, D1@9×30fp

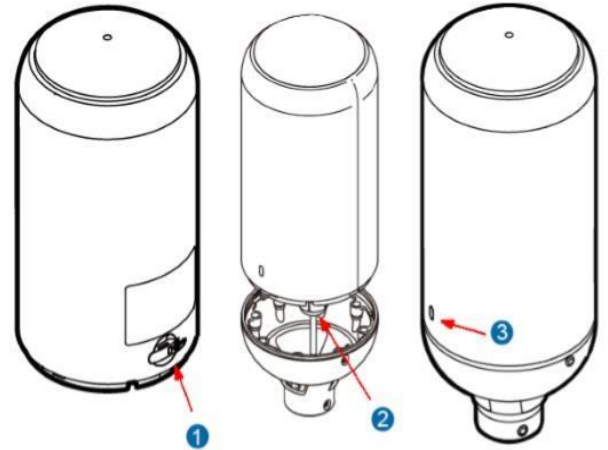
Playback & Backup	
<b>Local Sync Playback</b>	<u>1CH 5MP@30fps, 1CH 4MP@30fps, 2CH 3M@30fps, 4CH 1080P@20fps, 4CH 960P@30fps, 4CH 720P@30fps</u>
<b>Decode Capability</b>	4CH 1080P@20fps
<b>Remote Sync Playback</b>	YES
<b>Search Mode</b>	ALL, Channel, Manual, Time, Date, Motion Detection,Event Alarm
<b>Playback Functions</b>	Play, Pause, Stop, Rewind, Fast play, Slow Play, Full Screen, Frame Play ,Frame Rewind,
<b>Backup Mode</b>	USB Device/Network
Network	
<b>Interface</b>	1 RJ45 10M/100M Adaptive Ethernet Interface
<b>Incoming Bandwidth</b>	60MB
<b>Outgoing Bandwidth</b>	
<b>Network Functions</b>	TCP/IP, HTTP, UPnP, DNS, NTP, SMTP, PPPoE, DHCP, FTP, DDNS, RTP, RTSP, RTCP
<b>Web Browser</b>	IE8-11, Google Chrome (lower than Ver44), Firefox (lower than Ver53)
<b>CMS Software</b>	Support Windows 7/ Windows 8/Windows 10/MAC OS
<b>Cloud Support(P2P)</b>	Yes
<b>Smart Phone</b>	iPhone, iPad, Android, Android Pad
<b>POE</b>	/
<b>WIFI</b>	/
Storage	
<b>Interface Type</b>	1 SATA Hard Disk Interface (2.5"/3.5" SATA)
<b>Capacity</b>	Up to 8TB capacity
<b>eSATA</b>	/
General	
<b>Language</b>	Traditional Chinese, Simplified Chinese, English, Polish, Czech, Russian, Thai, Hebrew, Arabic, Bulgarian,German, French, Portuguese, Turkic, Spanish, Italian, Hungarian, Romanian, Korean, Dutch, Greek, Vietnamese
<b>USB Interface</b>	2 USB 2.0 Interfaces
<b>RS485</b>	/
<b>Power Supply</b>	DC12V/2A
<b>Working Environment</b>	-10~55°C/10~90%
<b>Dimension(W xDxH)</b>	260*215*43(mm)
<b>Weight</b>	2.0KG (without HDD)

# Guía de uso de B2368

## Descripción de Hardware:

### ODU

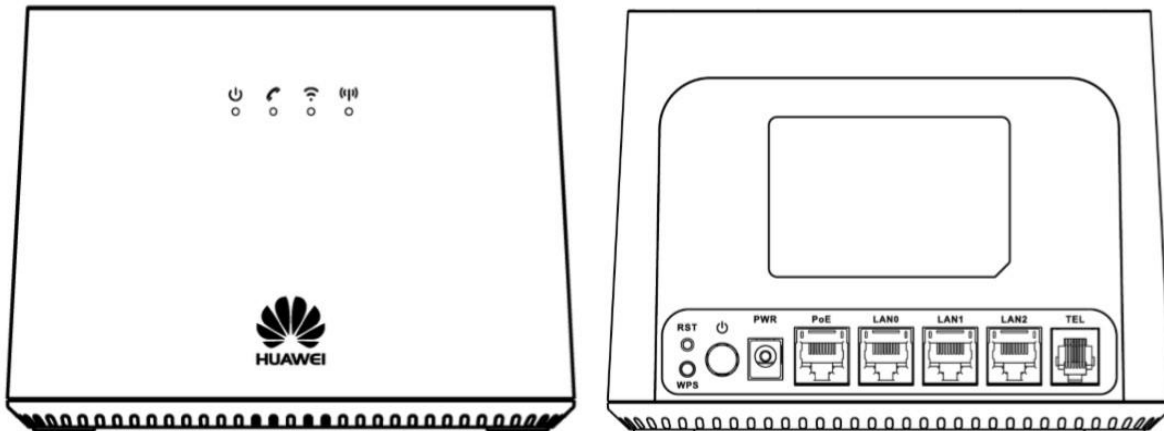
- Una ranura para una tarjeta SIM (se admite Micro-SIM 3FF).
- Un conector RJ-45 para conectar al puerto PoE de la IDU.
- Indicador LED.







Color	LED Behavior	Status Indication
<b>Off</b>		Power Off
<b>Red</b>	Steady ON	Error, malfunction, or no SIM
	Blinking	Upgrading
<b>Green</b>	Blinking	Booting up
	Steady ON	Strong LTE signal: SINR $\geq 10$ dB
<b>Blue</b>	Steady ON	Medium LTE signal: $10 \text{ dB} > \text{SINR} \geq 4 \text{ dB}$
<b>Orange</b>	Steady ON	Weak LTE signal: SINR $< 4$ dB
	Blinking	No LTE signal, searching, or disconnected.

## IDU

Uso del frente del panel y posterior.



LED	COLOR	STATUS	Description
PWR /SYS 	Green	On	The LTE Device is receiving power and ready for use.
		Blinking	The LTE Device is booting up.
	Red	On	The LTE Device detected an error while self-testing, or there is a device malfunction or no SIM card.
		Blinking	The LTE Device is upgrading the firmware.
Off			The LTE Device is not receiving power.
PHONE 	Green	On	A SIP account is registered for the phone port.
		Blinking	A telephone connected to the phone port has its receiver off of the hook or there is an incoming call.
	Yellow	On	A SIP account is registered for the phone port and there is a voice message in the corresponding SIP account.

LED	COLOR	STATUS	Description
		Blinking	A telephone connected to the phone port has its receiver off of the hook and there is a voice message in the corresponding SIP account.
	Off		The phone port does not have a SIP account registered.
WPS / Wi-Fi 	Green	On	Either IEEE 802.11bgn or 802.11ac is activated.
		Blinking	The LTE Device is communicating with wireless clients.
	Yellow	Blinking	The LTE Device is setting up a WPS connection.
	Off		The wireless network is not activated.
LTE Signal Strength 	Green	On	Strong LTE signal: SINR $\geq$ 10 dB
	Blue	On	Medium LTE signal: 10 dB > SINR $\geq$ 4 dB
	Orange	On	Weak LTE signal: SINR < 4 dB
		Blinking	No LTE signal, searching, or disconnected.
LAN 0-2	Yellow (Giga Ethernet)	On	The LTE Device has a successful 1000 Mbps Ethernet connection with a device on the Local Area Network (LAN).
		Blinking	The LTE Device is sending or receiving data to/from the LAN at 1000 Mbps.
	Green (Fast Ethernet)	On	The LTE Device has a successful 10/100 Mbps Ethernet connection with a device on the Local Area Network (LAN).
		Blinking	The LTE Device is sending or receiving data to/from the LAN at 10/100 Mbps.
	Off		The LTE Device does not have an Ethernet connection with the LAN.



## Configuración de web:

Paso 1. Asegúrese de que todo el hardware esté correctamente conectado

Paso 2. Inicie su navegador web

Paso 3. Escriba 192.168.1.1 como URL

Paso 4. Aparece la pantalla de contraseña de Web.

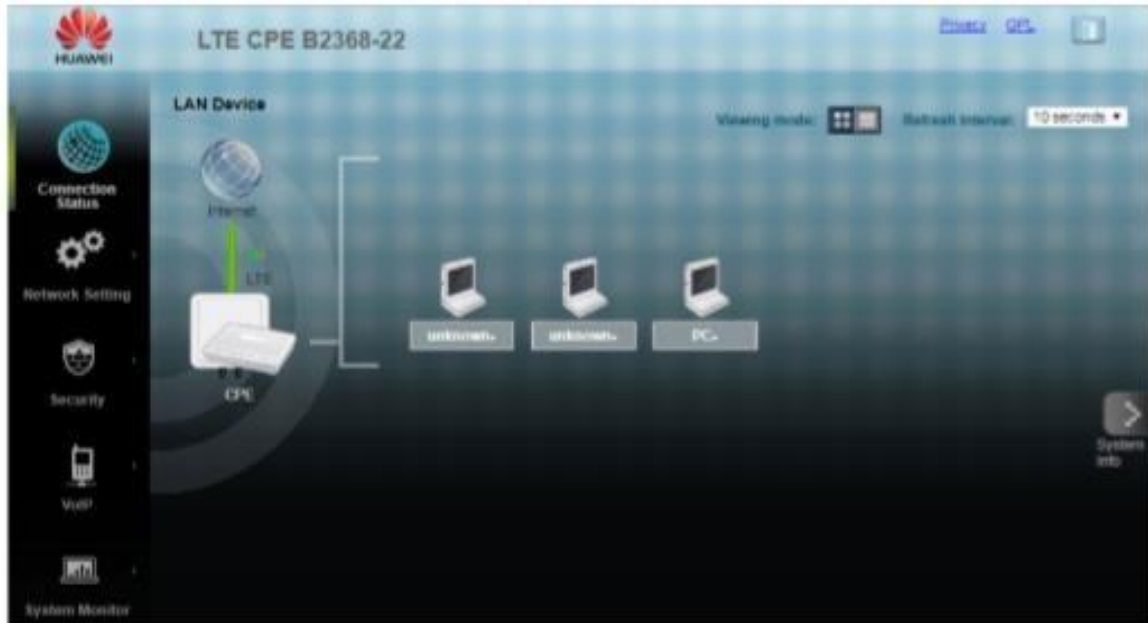
- Para el acceso de usuario, escriba "user" como nombre de usuario predeterminado y "LTE@Endusr" como contraseña predeterminada.
- Haga clic en iniciar sesión. Si ha cambiado la contraseña, ingrese su propia contraseña y haga clic en Iniciar sesión.



Paso 5. Aparecerá la siguiente pantalla, si aún no ha cambiado su contraseña. Se recomienda encarecidamente que cambie la contraseña predeterminada. Ingrese una nueva contraseña, vuelva a escribirla para confirmar y haga clic en Modificar; alternativamente, haga clic en Omitir para pasar al menú principal si no desea cambiar la contraseña ahora.



Paso 6. Aparecerá la pantalla Estado de la conexión



## Imágenes referenciales





  
Alta Eficiencia

Opcional Cámara IR termal largo alcance tecnología militar de uso civil